

1030 nm laser diode

200 mW (CW) / 1200 mW (Pulsed) / singlemode fiber / Butterfly package

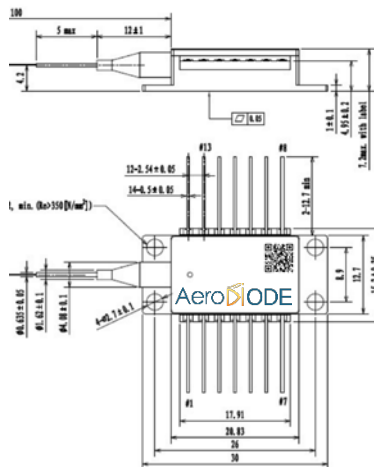
Reference: 1030LD-1-0-0

Technology : Single mode Fabry Perrot*

SPECIFICATIONS	Unit	Min	Typ	Maximum
Output Power (CW)	mW	150	200	
Output Power (Pulsed)	mW	1000	1200	
Center Wavelength	nm	1025	1030	1045
Spectral Width (CW/Pulse)	nm(FWHM)			0.2/1.0
Threshold Current	mA		60	80
Operating Current (CW/Pulse)	mA		350/2500	
Operation Voltage	V		1.6	2.0
Wavelength shift w Temperature	nm/°C		0.35	
Power in Band	%	90		
Polarization Extinction Ratio	dB	13		
Internal Photodiode Responsivity	mA/W	0.5		10
Internal Photodiode Dark Current	nA			100
TEC current (Case @ 75°C)	A			1.5
TEC Voltage (Case at 75°C)	V			3.3
Internal thermistor (25°C)	kOhm	9.5		10.5
Fiber type	PM fiber : SM98-PS-U25D-H or Nufern PM980			
Fiber bend radius	mm	16 (abs min)		
Coating diameter	µm		250/900	
Storage case temperature	°C	-40 (abs. min)		85 (abs. max)
Operating case temperature	°C	-5 (abs. min)		75 (abs. max)
Lead soldering temperature	°C			280
Laser diode reverse voltage	V			2.0
Pigtail termination	Ferrule			
Polarization state	Aligned to the slow axis			

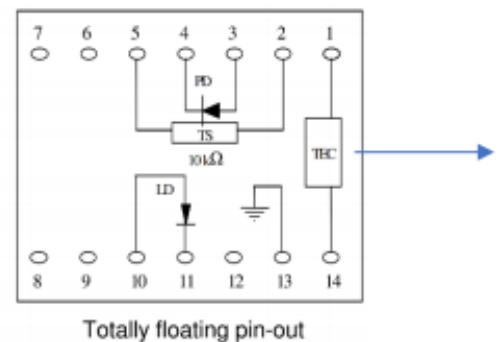
*See our tutorial on [fiber coupled laser diode](#)

Form factor:



Dimensions are in mm

Laser diode pinning :



1030 nm laser diode - DFB

>200 mW / singlemode fiber / 10 pin Butterfly package*

Reference: 1030LD-2-0-0

Technology : DFB**

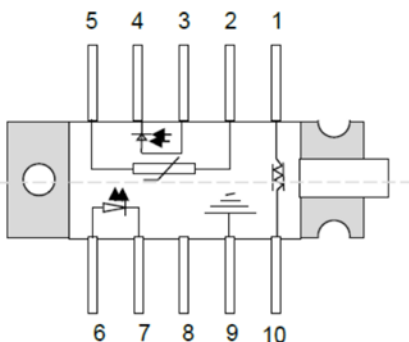
SPECIFICATIONS	Unit	Min	Typ	Maximum
Output Power (CW mode)	mW	200	220	
Output Power (Pulse mode)	mW	500	800	
Center Wavelength	nm	1028	1030	1032
Spectral Width (FWHM)	kHz		200	
Threshold Current	mA		40	70
Operating Current	mA		350	400
Operation Voltage	V		2.0	2.5
Wavelength shift w Temperature	nm/°C		0.06	
Wavelength shift w Current	nm/mA		0.0025	
Polarization Extinction Ratio	dB	13		
Internal Photodiode Responsivity	mA/W	0.5		10
Internal Photodiode Dark Current	nA			100
TEC current (Case @ 75°C)	A			1.4
TEC Voltage (Case at 75°C)	V			3.2
Internal thermistor (25°C)	kOhm	9.5		10.5
Fiber type	PM fiber : SM98-PS-U25D-H or Nufern PM980-HP			
Fiber bend radius	mm	20 (abs min)		
Coating diameter	µm	230	250	270
Storage case temperature	°C	-40 (abs min)		85 (abs max)
Lead soldering temperature	°C			350
Laser diode reverse voltage	V			2.0
Fiber termination	Bare fiber (optional FC/APC connector)			
Polarization state	Aligned to the slow axis			

*: 10 pin Butterfly packages are compatible with all AeroDIODE Drivers (The pinning is very similar to a Type-1 Butterfly laser diode pinning)

** : See our tutorial on [fiber coupled laser diode](#)

Form factor:

Laser diode pinning :



Pin	Description	Pin	Description
1	TEC (+)	6	Laser anode (+)
2	Thermistor	7	Laser cathode (-)
3	Monitor anode (-)	8	NC
4	Monitor cathode (+)	9	Package ground
5	Thermistor	10	TEC (-)